

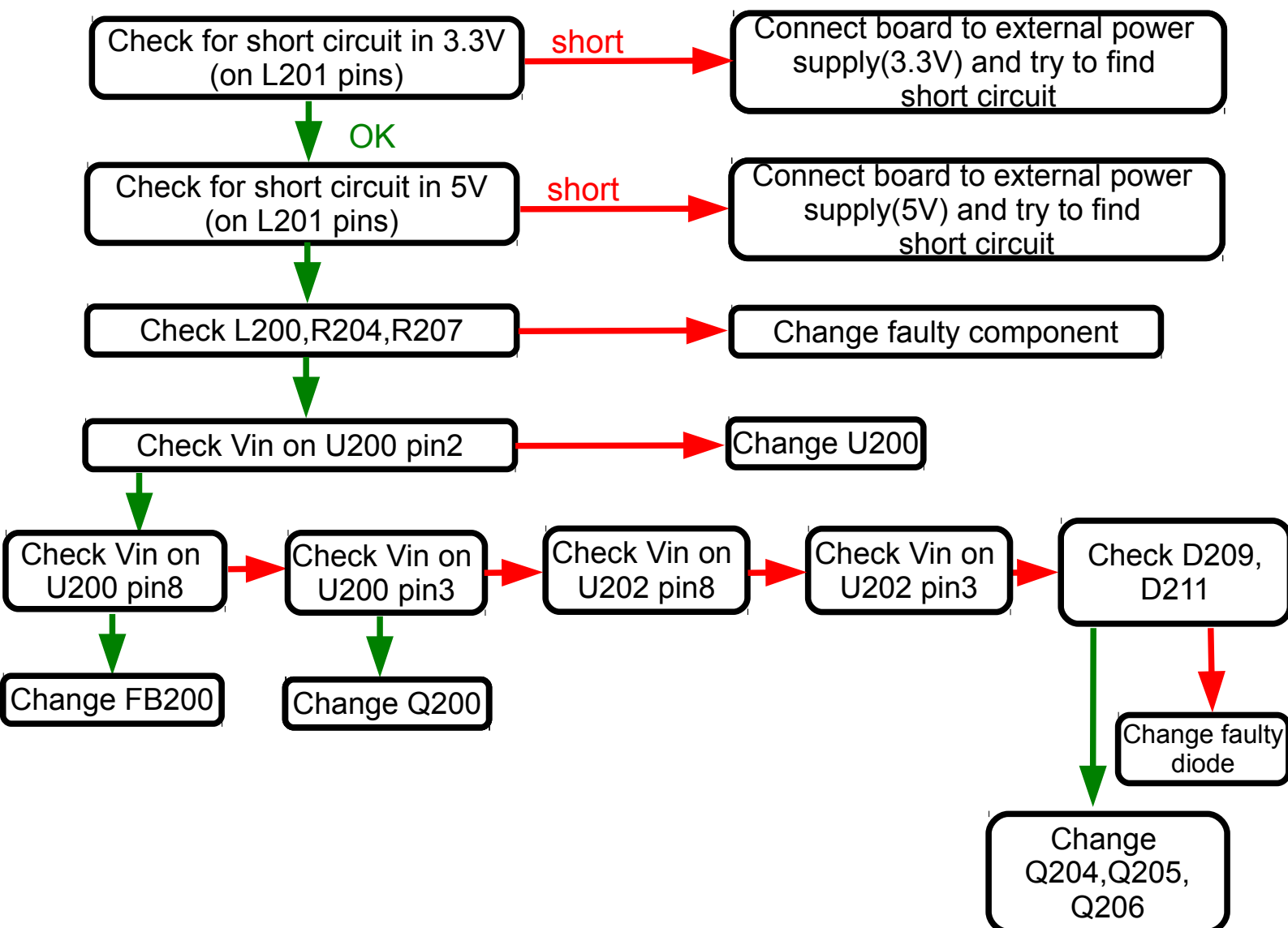
TroubleShooting for SXTG-5HPacD

These repair instructions are for NON WARRANTY repairs only!

Try reinstalling routerOS and bios before this repair procedure.

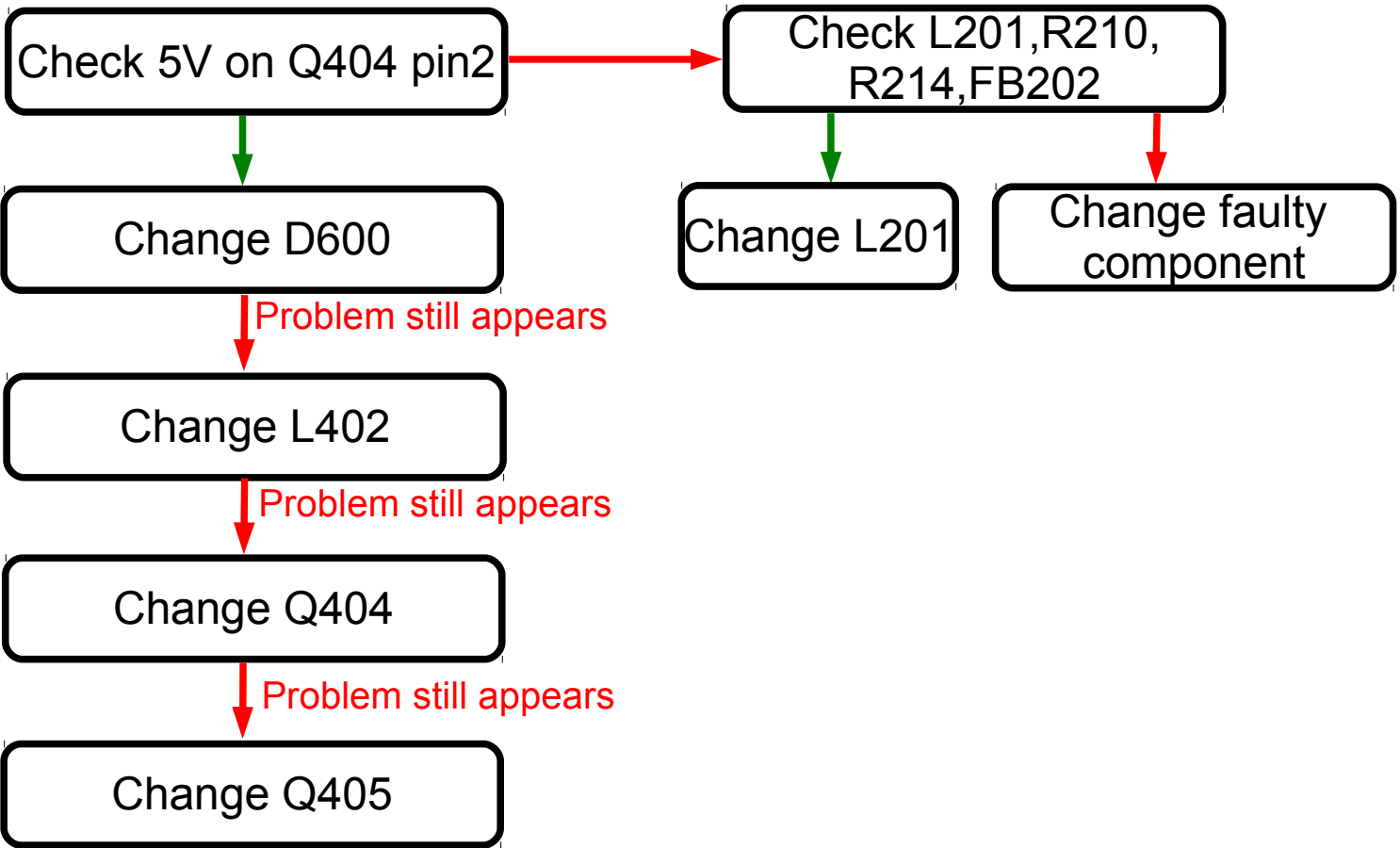
Please make visual inspection for signs of corrosion or mechanical damages before starting.

No power



*For diodes measure pn transition. pn transition could be measured with multimeter in diode testing mode- hold black probe on diode's polarity indicator side and red probe hold on other side. Diode is "dead" if voltage drop is <math><0.1V</math>.

USB does not work



Radio does not work

If Chain0 does not work:

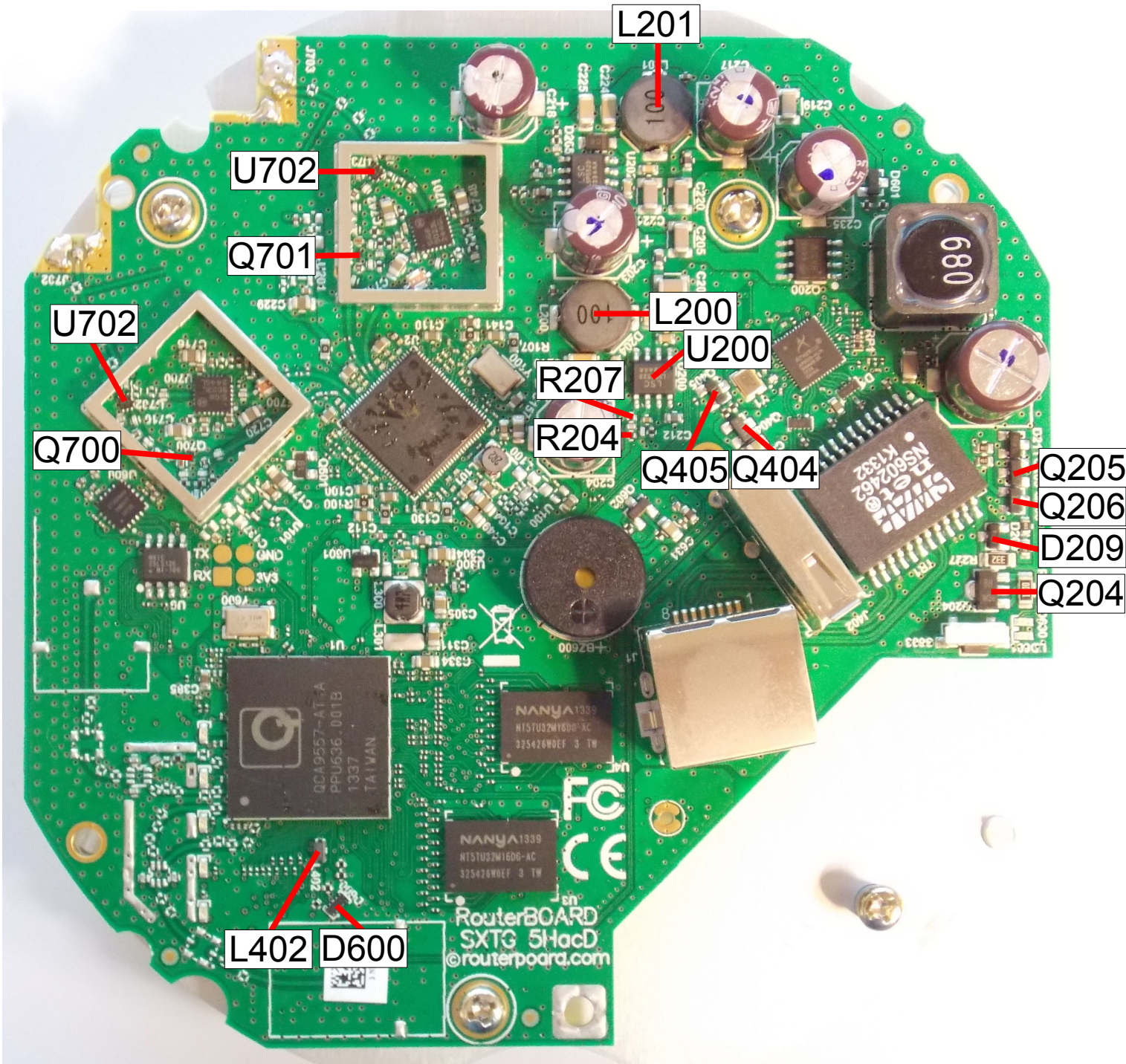
-Change U702,Q700

If Chain1 does not work:

-Change U703,Q701

Reference number	Part Number	Manufacturer	Description
L200,L201	BCRH8D43-100N-NL	Bao Cheng Electronics Co.,Ltd.,	Inductor 10uH 30% 3.6A 8.3x8.3x4.7 34mOhm RoHS T&R
L402	WCM-2012-900T	King Core Electronic Inc	P42069AT USB 2.0 EMI Filter, ACM2012
R204	RC0402FR-0726K1L	Yageo Corporation	Resistor 26.1k 1% 0402
R207	RC0402FR-0710KL	Yageo Corporation	Resistor 10k 1% 0402
U200	LSP5523-R8A	Lite-On Semiconductor corporation	DC-DC Step-down converter 4.5-30V input 3A output Sync SO8, RoHS
U702,U703	UPG2163T5N-E2-A	NEC Electronics	GaAs MMIC SPDT Switch, 2.4GHz&6GHz, 2.5-5.3V
D209	BZX84-B9V1,215	NXP Semiconductors	Diode Zener BZX84B 9,1V 2% 250mW SOT23
D600	AOZ8808DI-05	Alpha & Omega	Diode Array TVS 4 channel low cap DFN-10
Q204	BCX5616TA	Diodes Zetex Limited	Transistor NPN 80V 1A 1W Hfe=100-250 SOT89
Q205	BSS123,215	NXP Semiconductors	MOSFET N-Ch 100V 150mA 6 Ohm 3V level SOT-23
Q206	BC846B,215	NXP Semiconductors	Transistor NPN 65V 100mA 250mW Hfe=290 SOT-23 RoHS
Q404	AO3415A	Alpha & Omega	MOSFET P-Ch -20V -5A 41mOhm 1.5V level SOT-23
Q405	BC846B,215	NXP Semiconductors	Transistor NPN 65V 100mA 250mW Hfe=290 SOT-23 RoHS
Q700,Q701	BFU730LXZ	NXP Semiconductors	NPN wideband silicon germanium RF transistor

When you order components for repairing boards from our sales, please, write components reference number not a part number



On U1 CPU silkscreen must be the same product code,
 or You will lose the license. License may also lose if changes U9